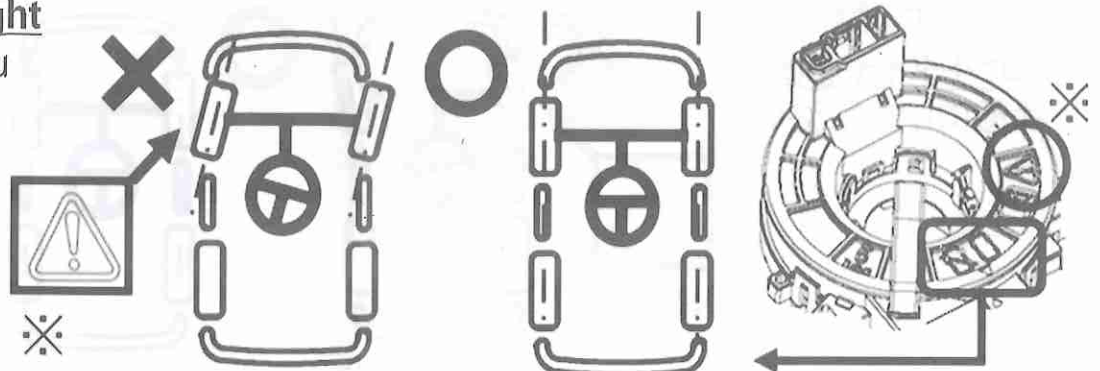
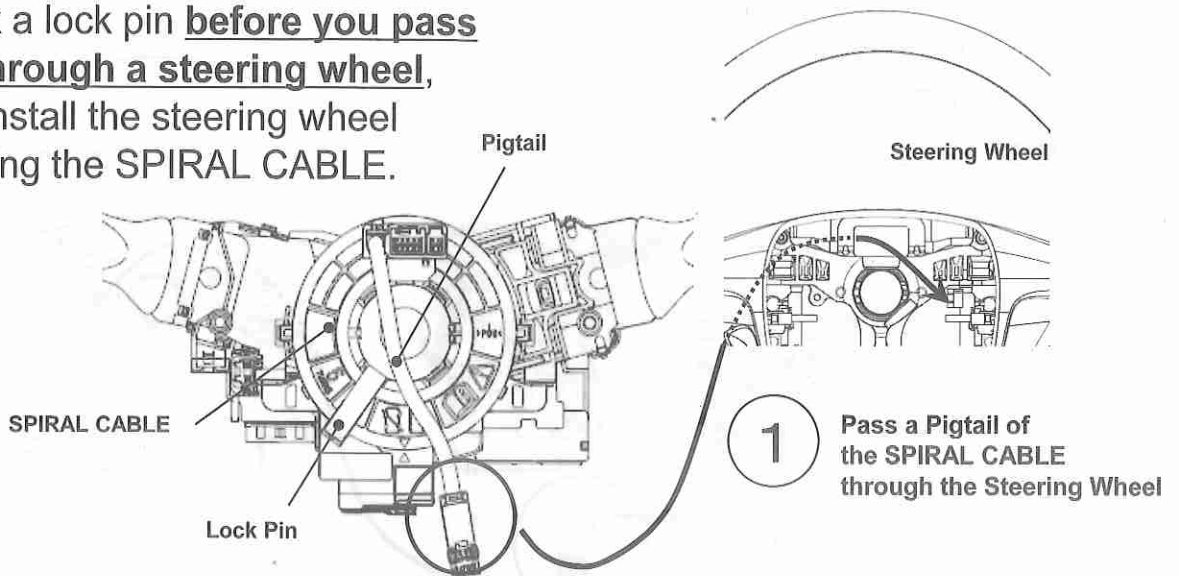


# 【Three Requests in Handling a SPIRAL CABLE】

1. Please keep the front wheels in a straight position when you remove or install a SPIRAL CABLE.



2. Don't break a lock pin before you pass a pigtail through a steering wheel, when you install the steering wheel after installing the SPIRAL CABLE.




- 2 Break a Lock Pin of the SPIRAL CABLE.

(NOTE)  
Job ② is unnecessary in case of a model with no lock pin.

3. Please carry out the centering of the SPIRAL CABLE according to a service manual, in case the SPIRAL CABLE has rotated before passing the Pigtail through the Steering Wheel.

(Reference)

You can check the centering condition of the SPIRAL CABLE in case of a model with a window.

<Checking Method of Centering Condition>  
The Spiral Cable is at the center, in case you can see any of the followings under the mating condition of Match Marks .

- White Cable (a curved ribbon-like cable)
- Yellow Color Roller    • Orange Color Roller

(NOTE)

The SPIRAL CABLE would be broken or lose its functions if the SPIRAL CABLE is not handled in the exact way of the above mentioned instruction.

